

Barry Stoodley Pty Ltd



FIFTH WHEELS

FW342 Low-Lube Cast Fifth Wheels

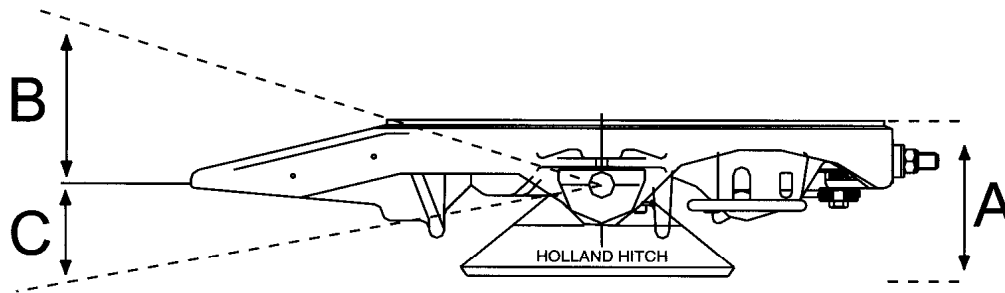
GO THE DISTANCE.

CAST STEEL Construction to suit 50mm Kingpin to AS4968 series.

All Fifth Wheel packages: Tested to AS4968 series under requirements of ADR 62/01

342 D rating: 50/165

As configurations can change, please refer to the respective assembly or part no. for the correct & applicable D rating.



Part Number	Height (A)	Assembly Weight	Oscillation		D-Rating kN	CRN Number
			B	C		
*XA342A		110 kg	Top Only		50/165	N/A
**FW342L	153 mm	123 kg	10 deg	8 deg	50/165	16753
**FW342T	175 mm	128 kg	15 deg	12 deg	50/165	16753
FW342F	198 mm	130 kg	18 deg	16 deg	50/165	16753
FW342A	208 mm	131 kg	21 deg	18 deg	50/165	16753
FW342X	243 mm	136 kg	29 deg	23 deg	50/165	16753

* Top plate only c/w foot pins & fixings.

** Restricted Angle of Pitch Base plate must have cut outs to allow for the minimum 8 degrees fore & aft oscillation.

Note: All FW342 cast fifth wheels complete with feet are now using a cast steel weld on type foot.

Not suitable for livestock

Barry Stoodley Pty Ltd



FIFTH WHEELS

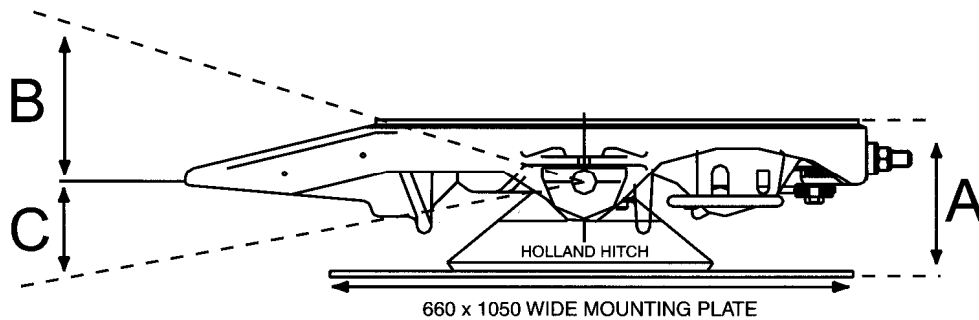
FW342 Low-Lube Cast Fifth Wheels On A Base Plate

CAST STEEL Construction to suit 50mm Kingpin.

All Fifth Wheel packages: Tested to AS4968 series under requirements of ADR 62/01

342 D rating: 50/165

As configurations can change, please refer to the respective assembly or part no. for the correct & applicable D rating.



Part Number	Height (A)	Base Plate Thickness	Assembly Weight	Oscillation		D-Rating kN	CRN Number
				B	C		
*FW342L2	169 mm	16 mm	214 kg	10 deg	8 deg	50/165	16625
*FW342L3	173 mm	20 mm	241 kg	10 deg	8 deg	50/165	16625
*FW342T2	191 mm	16 mm	220 kg	15 deg	12 deg	50/165	16625
*FW342T3	195 mm	20 mm	246 kg	15 deg	12 deg	50/165	16625
FW342F2	214 mm	16 mm	222 kg	18 deg	16 deg	50/165	16625
FW342F3	218 mm	20 mm	248 kg	18 deg	16 deg	50/165	16625
FW342A2	224 mm	16 mm	223 kg	21 deg	18 deg	50/165	16625
FW342A3	228 mm	20 mm	249 kg	21 deg	18 deg	50/165	16625
FW342X2	259 mm	16 mm	227 kg	29 deg	23 deg	50/165	16625
FW342X3	263 mm	20 mm	254 kg	29 deg	23 deg	50/165	16625

* Restricted Angle of Pitch Base plate must have cut outs to allow for the minimum 8 degrees fore & aft oscillation.

Note: Specifications regarding heights and weights are nominal only. We reserve the right to make changes as necessary.

Not suitable for livestock

Barry Stoodley Pty Ltd



FIFTH WHEELS

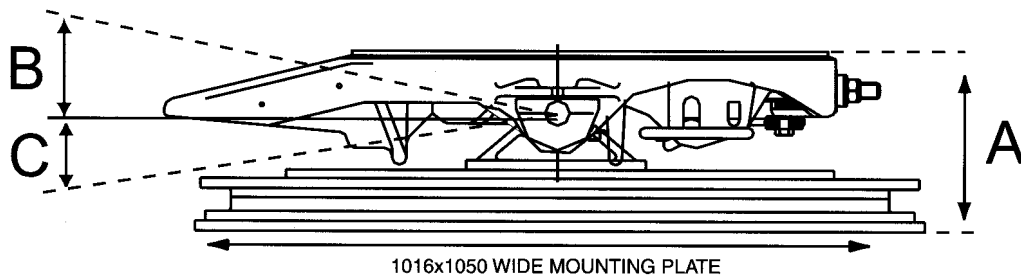
FW342 Low-Lube Cast Fifth Wheels On A Single Row Ballrace Assembly

CAST STEEL Construction to suit 50mm Kingpin.

All Fifth Wheel packages: Tested to AS4968 series under requirements of ADR 62/01

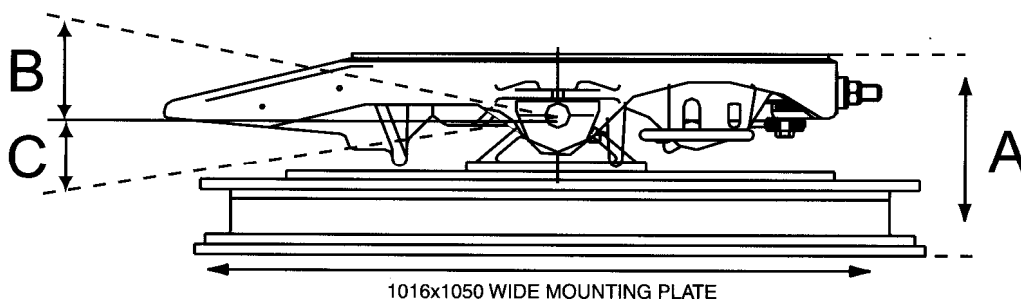
342 D rating: 50/165

As configurations can change, please refer to the respective assembly or part no. for the correct & applicable D rating.



Part Number	Height (A)	Base Plate Thickness	Assembly Weight	Oscillation		D-Rating kN	CRN Number
				B	C		
FW342LS4	241 mm	16 mm	319 kg	13 deg	9 deg	50/165	16641
FW342TS4	263 mm	16 mm	320 kg	13 deg	12 deg	50/165	16641
FW342AS4	296 mm	16 mm	323 kg	17 deg	12 deg	50/165	16641

FW342 Lo-Lube Cast Fifth Wheels On A Double Row Ballrace Assembly



Part Number	Height (A)	Base Plate Thickness	Assembly Weight	Oscillation		D-Rating kN	CRN Number
				B	C		
FW342LD4	271 mm	16 mm	340 kg	13 deg	9 deg	50/165	16627
FW342TD4	293 mm	16 mm	341 kg	17 deg	12 deg	50/165	16627
FW342AD4	326 mm	16 mm	344 kg	17 deg	12 deg	50/165	16627

Note: 'S' Suffix in part number = Single row ball race.

'D' Suffix in part number = Double row ball race.

Specifications regarding heights and weights are nominal only. We reserve the right to make changes as necessary.

Not suitable for livestock

Barry Stoodley Pty Ltd



FIFTH WHEELS

FW342 Low-Lube Cast Fifth Wheels On A Kompensator

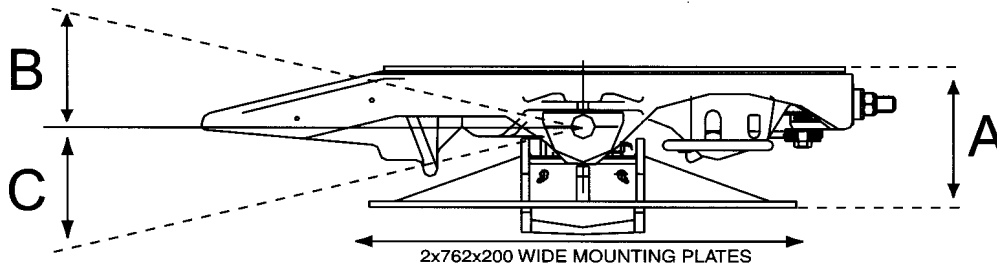
GO THE DISTANCE.

CAST STEEL Construction to suit 50mm Kingpin.

All Fifth Wheel packages: Tested to AS4968 series under requirements of ADR 62/01

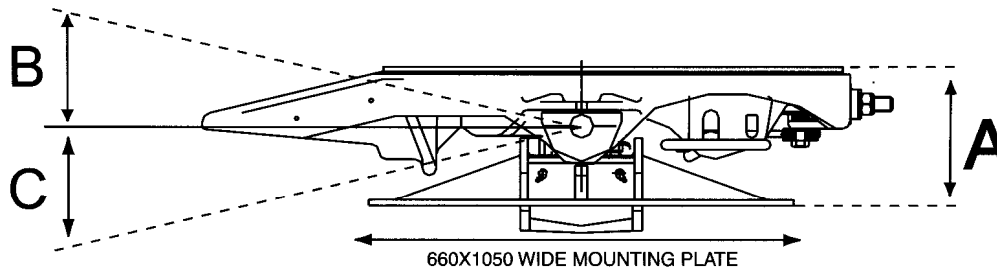
342 D rating: 50/165

As configurations can change, please refer to the respective assembly or part no. for the correct & applicable D rating.



Part Number	Height (A)	Base Plate Thickness	Assembly Weight	Oscillation		D-Rating kN	CRN Number
				B	C		
FW342K	250 mm	12 mm	241 kg	23 deg	23 deg	50/163	16629

FW342 Lo-Lube Cast Fifth Wheels On A Kompensator Full Plate



Part Number	Height (A)	Base Plate Thickness	Assembly Weight	Oscillation		D-Rating kN	CRN Number
				B	C		
FW342KP	250 mm	12 mm	265 kg	23 deg	23 deg	50/163	16628
FW342KP6	254 mm	16 mm	282 kg	23 deg	23 deg	50/163	16628
FW342KP7	258 mm	20 mm	299 kg	23 deg	23 deg	50/163	16628

Note: Kompensator Allows 5 degree of oscillation either side of vertical centre line. Centre of gravity not to exceed 1120mm above Fifth Wheel Top Plate Surface.

Specifications regarding heights and weights are nominal only. We reserve the right to make changes as necessary.

Not suitable for livestock

Barry Stoodley Pty Ltd



FIFTH WHEELS

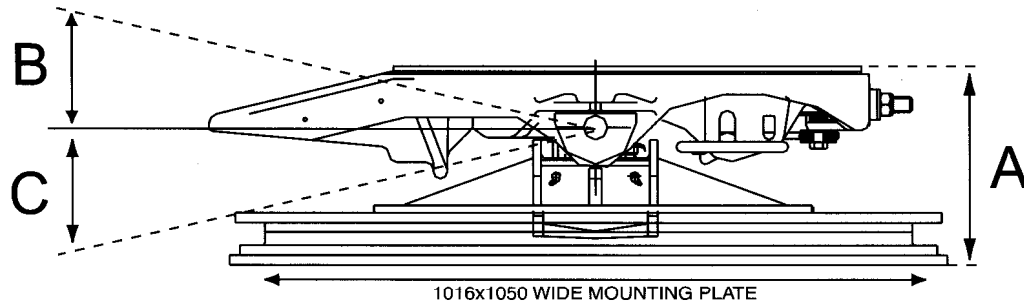
FW342 Low-Lube Cast Fifth Wheels On A Single Row Ballrace/ Kompensator

CAST STEEL Construction to suit 50mm Kingpin.

All Fifth Wheel packages: Tested to AS4968 series under requirements of ADR 62/01

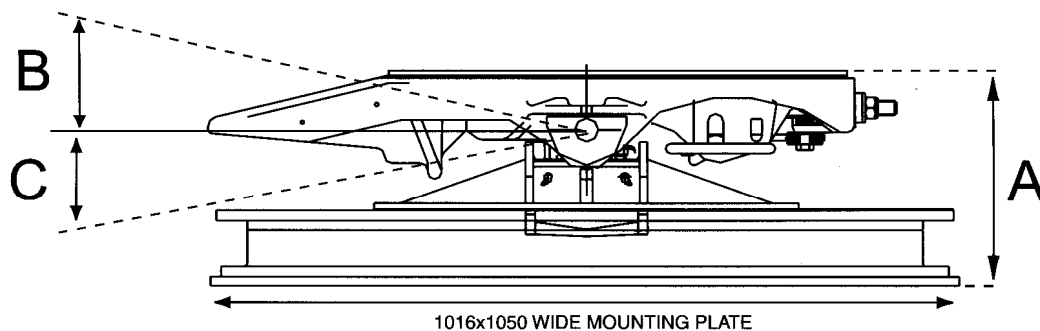
342 D rating: 50/165

As configurations can change, please refer to the respective assembly or part no. for the correct & applicable D rating.



Part Number	Height (A)	Base Plate Thickness	Assembly Weight	Oscillation		D-Rating kN	CRN Number
				B	C		
FW342KS4	311 mm	16 mm	397 kg	19 deg	19 deg	50/163	16640
FW342KS5	315 mm	20 mm	423 kg	19 deg	19 deg	50/163	16640

FW342 Lo-Lube Cast Fifth Wheels On A Double Row Ballrace/Kompensator



Part Number	Height (A)	Base Plate Thickness	Assembly Weight	Oscillation		D-Rating kN	CRN Number
				B	C		
FW342KD4	341 mm	16 mm	418 kg	19 deg	19 deg	50/163	16636
FW342KD5	345 mm	20 mm	443 kg	19 deg	19 deg	50/163	16636

Note: Kompensator Allows 5 degree of oscillation either side of Vertical centre line. Centre of gravity not to exceed 1120mm above Fifth Wheel Top Plate Surface.

Specifications regarding heights and weights are nominal only. We reserve the right to make changes as necessary.

Not suitable for livestock

Barry Stoodley Pty Ltd



FIFTH WHEELS

FW342 Low-Lube Cast Fifth Wheel Options

GO THE DISTANCE.

CAST STEEL Construction to suit 50mm Kingpin.

All Fifth Wheel packages: Tested to AS4968 series under requirements of ADR 62/01

342 D rating: 50/165

As configurations can change, please refer to the respective assembly or part no. for the correct & applicable D rating.

FW342 Lo-Lube Cast Fifth Wheel On A Slider



Base width 1003mm. Travel in 50.8 mm increments.

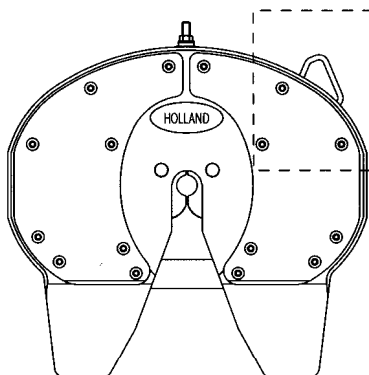
Part Number	Height (A)	Assembly Weight	Oscillation		Travel Length	Base Length	D-Rating kN	CRN Number
			Fore	AFT				
FW34212	182mm	219.4 kg	8 deg	8 deg	610mm	1135mm	TBA	TBA
FW34222	207mm	220.4 kg	10 deg	12 deg	610mm	1135mm	TBA	TBA
FW34232	233mm	222.2 kg	15 deg	15 deg	610mm	1135mm	TBA	TBA

Part Number	Height (A)	Assembly Weight	Oscillation		Travel Length	Base Length	D-Rating kN	CRN Number
			Fore	AFT				
FW34213	182mm	236.5 kg	8 deg	8 deg	915mm	1440mm	TBA	TBA
FW34223	207mm	238.1 kg	10 deg	12 deg	915mm	1440mm	TBA	TBA
FW34233	233mm	239.9 kg	15 deg	15 deg	915mm	1440mm	TBA	TBA

Note: All weights are nominal and subject to variation.

FW342 Lo-Lube Handle Option

B Double



When ordering "B" Double configuration add 'B' to 342 part no. eg FW342AB. Will attract same CRN and Assembly numbers as standard models.

Note: Ears removed from top plate to minimum width 915mm. All weights, oscillation, Ratings as per standard 342 assembly specs. When uncoupled release handle does not protrude past the casting width.

Note: Specifications regarding heights and weights are nominal only. We reserve the right to make changes as necessary.

Not suitable for livestock